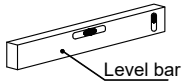
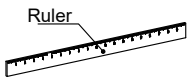


## I. Installation Steps

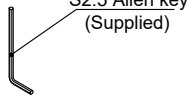
\* The installation diagram is only for reference, the product is subject to the real object.

Prepare below tools

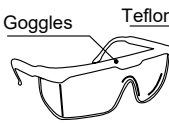


Ruler

Level bar



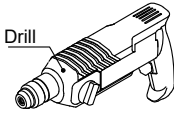
S2.5 Allen key (Supplied)



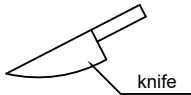
Goggles



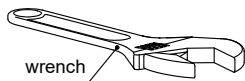
Teflon tape



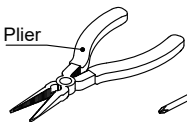
Drill



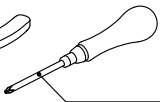
knife



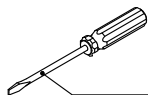
wrench



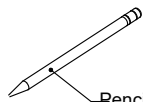
Plier



Phillips screwdriver

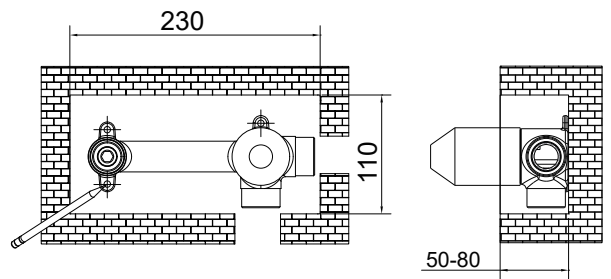


straight screwdriver

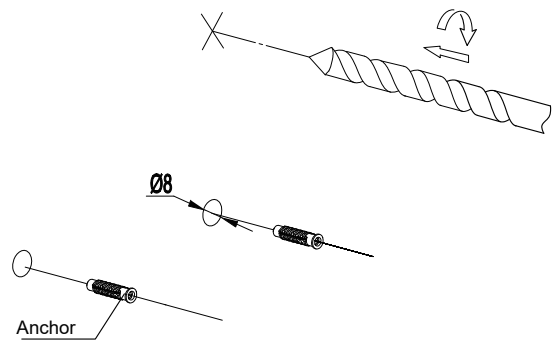


Pencil

1

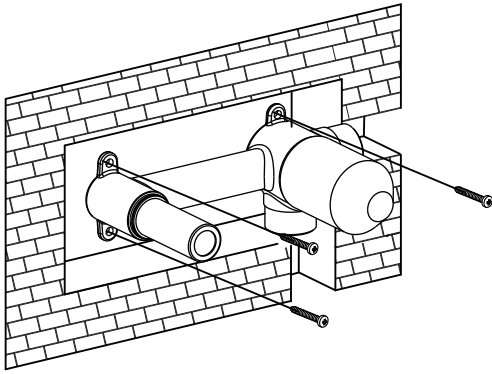


2



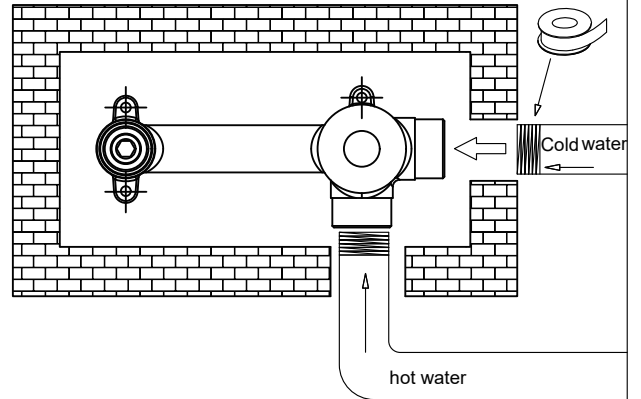
Drill 4  $\varnothing 8$  holes at mark position.

3



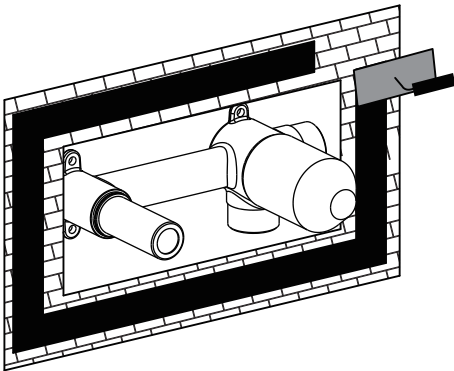
lightly fix mounting box to the rough wall by self-tapping screw.

4



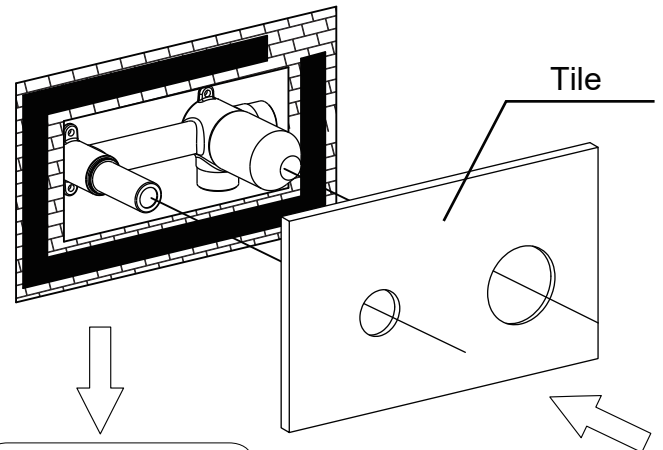
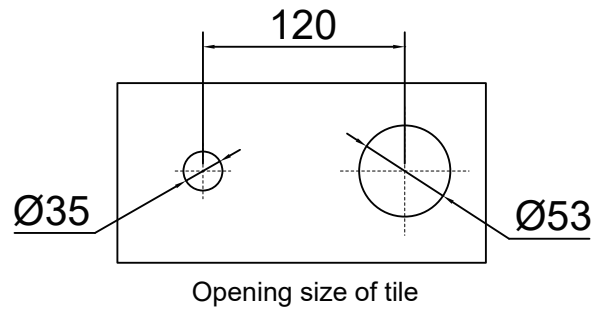
Clean pipes before installation to get rid of mud, sand or other debris  
After installation, check all the joints to make sure they are firmly connected.

5



Apply cement to the outside of the faucet

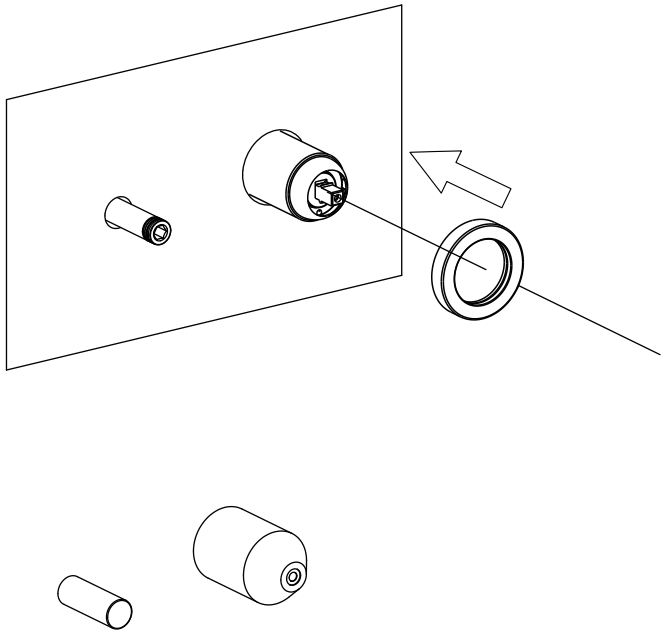
6



Take off the protection sheat

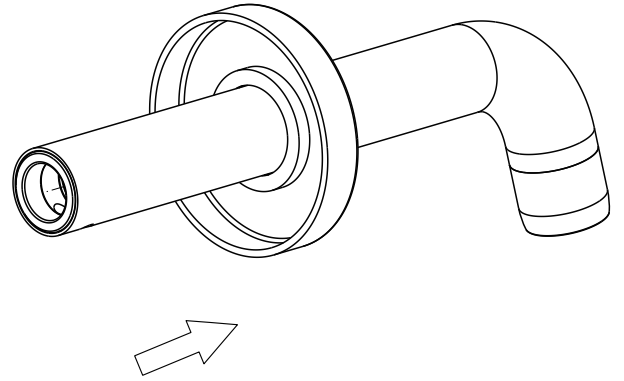
Fix a suitable position to open a hole on the tile.

7



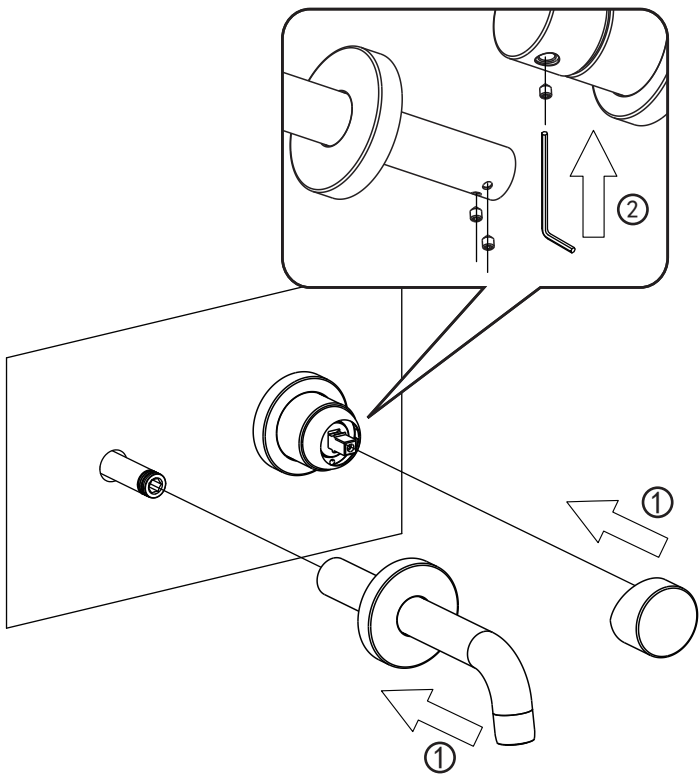
Take off the protecton sheat

8



Installation the escutcheon

9



Insert the spout,tigthen it with M4 screw  
Fit the handle, tigthen it with screw

10

